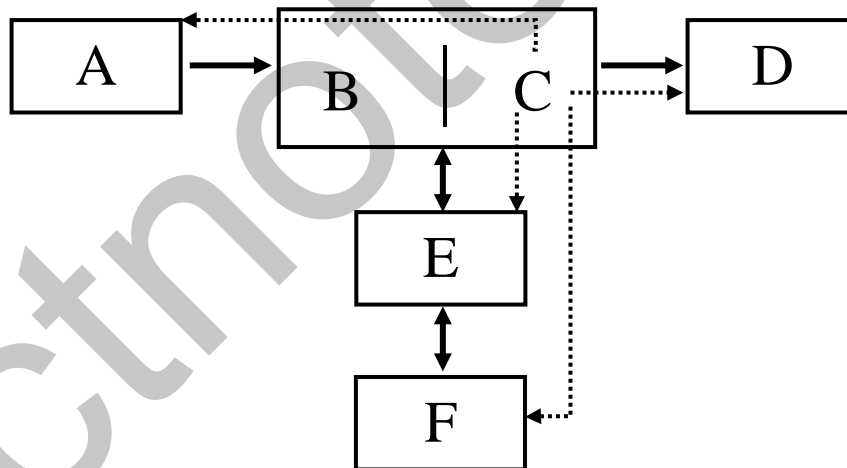


Answer only five questions, first question and four other questions
First Question carrier 20 marks and other questions carry 10 marks each

aa

1. A company called 'City Movers' is specialized in moving house furniture. They identify people who have recently sold their houses and are waiting to move to a new place and visit them to get the business offering to move all house furniture safely and professionally from one location to another. When the manager of the company visits the customers, he asks them few questions such as the number of items to be moved, the two addresses (i.e. to calculate the distance of the move) etc., to help determining the size of the lorry and the number of workers needed to move the items. The total cost of the moving is given to the customer as a 'quotation'
 - i. Describe two differences between 'data' and 'information' giving examples from the above scenario.
 - ii. The information gathered from many customers by the company is stored in the company database. A unique code is used when storing each set of details. List two benefits of using a code when storing this information in the computer database, giving examples.
 - iii. As a policy the company employs people with disabilities in their office. Suggest a suitable method and a device that can be used to input data by a person who is unable to work with his hands.
 - iv. List two differences between a dot matrix printer and a laser printer
 - v. Describe the overview activities of a database management system.

2.
 - i. The contextual diagram of a computer system is given below. Identify the components marked with letters A, B, C, D, E and F



- ii. Briefly describe the main functions of each of the components A, B, C, D, E and F.

3.

Look at this spreadsheet and answer the following questions:

	A	B	C	D	E	F
1		English	Maths	Maltese	Science	
2	Mario	74	65	57	76	
3	Robert	67	71	68	57	
4	George	43	51	66	54	
5	Jack	78	76	65	74	
6						

Fig. 1

- i. Write down the formula for adding Mario's marks (F2):
- ii. Write down the formula for finding the maximum mark in Maths (C6):
- iii. Write down the formula to find the lowest mark in Maltese (D6):
- iv. Write down the formula to find the average mark in English (B6):
- v. Write down the formula to take maximum mark of George in (F4)

4.

Suppose you are the chief organizer of the annual Educational Trip of the school. If you have the freedom to use the computer available in the computer room, suggest what software package you would use to perform each of the tasks listed below. Give reasons for your selection.

- i. Prepare letters for the parents of the students to inform about the event.
- ii. Prepare the budget of the trip.
- iii. Prepare a presentation on the places to be visited.
- iv. Keep records of each student in a database who are going on the trip, along with their parents details.
- v. Find out more information from the Internet about the places to be visited.

5.

Write answers on following

- i. What is the name of first computer with stored program concept?
- ii. What is known as a computer network?
- iii. Write down two types of communication medias that can be used to implement a wired network
- iv. Write down the involvement of main memory for data processing
- v. Write down the reasons for the following statement
"Computer uses machine language instructions which are in binary format"