

CP/W/Kengalla Maha Vidyalaya මප/වත්/ කෙන්ගල්ල මහා විද්‍යාලය	<table border="1" style="display: inline-table; border-collapse: collapse;"> <tr> <td style="padding: 5px;">80</td> <td style="padding: 5px;">S</td> <td style="padding: 5px;">I</td> </tr> </table>	80	S	I
80	S	I		
First Term Test - 2019	Grade10			
තොරතුරු හා සන්නිවේදන තාක්ෂණය I Information & Communication Technology I	පැය එකයි One hour			

Answer all the questions

1. 'Nimali brought 3 red flowers for the vase.' Identify quantitative and qualitative data respectively from this statement.

1. red and 3 2. 3 and red 3. flowers and red 4. 3 and flowers

2. Select input process and output of CDM respectively

1. money – account number – receipt
 2. account number – check the validity of account number – output the details of the account holder
 3. receipt – account number – money 4. account number – money – receipt

3. Select the correct statement regarding characteristics of quality information

1. genuine, fast, accuracy, intelligent, cost effectiveness
 2. relevancy, completeness, accuracy, timeliness, cost effectiveness
 3. genuine, relevancy, accuracy, timeliness, cost effectiveness
 4. relevancy, accuracy, fast, completeness, cost effectiveness

4. Select the correct service if e-government

1. B2C, C2G, G2E, E2G 2. G2C, G2E, G2B, G2R
 3. G2C, G2B, G2E, G2G 4. G2E, G2R, G2B, G2G

5. LMS stand for

1. Learning Material Shop 2. Learn Music System
 3. Learning Management System 3. Learning Material System

6. What is the incorrect statement regarding Distance Learning

- | | |
|---------------------------------|-----------------------------------|
| 1. Digital library facility | 2. Online assignments and quizzes |
| 3. Have travel to meet teachers | 4. Contact with teachers online |

7. What is the device use to analyze a sample of blood?

- | | |
|--------------------------------|-------------------------------------|
| 1. MRI | 2. Blood pressure measuring machine |
| 3. Blood sugar Testing Machine | 4. ECG |

8. Meteorological Device is used to

- | | |
|---|--|
| 1. identify weather changes | 2. minimize the harmful effects from insects |
| 3. measure the various parameters of soil | 4. supply water |

9. What is the device used to find the location of animals in alarge farm

- | | | | |
|---------|---------|--------|--------|
| 1. CCTV | 2. RFID | 3. ETU | 4. EEG |
|---------|---------|--------|--------|

10. Not a use of a robots.

- | | | | |
|--------------------|-------------|---------------|-----------------|
| 1. 24 hour service | 2. Accuracy | 3. Effeciency | 4. Intelligency |
|--------------------|-------------|---------------|-----------------|

11. Not a demerit of ICT

- | | | | |
|--------------|--------------|---------------|---------------------|
| 1. Addiction | 2. isolation | 3. Effeciency | 4. Mental disorders |
|--------------|--------------|---------------|---------------------|

12. The world's first ever mathematical machine is called,

- | | | | |
|-----------|-------------------|---------------|----------------------|
| 1. Abacus | 2. Adding machine | 3. Punch card | 4. Analytical Engine |
|-----------|-------------------|---------------|----------------------|

13. Hardware technology used in second generation is

- | | | | |
|-----------------|----------------|------------------------|--------------------|
| 1. Vaccum tubes | 2. Transistors | 3. Integrated circuits | 4. Micro Processor |
|-----------------|----------------|------------------------|--------------------|

14. When computers were developed gradually with vacuum tubes, transistors, integrated circuits and microprocessors, was increased.

- | | | | |
|---------|----------------------------|---------------|-----------------|
| 1. Size | 2, electricity consumption | 3. Efficiency | 4. heat exhaust |
|---------|----------------------------|---------------|-----------------|

16. Select the statement which shows input devices only

- | | |
|-----------------------------|-------------------------------|
| 1. MOUSE, PRINTER, KEYBOARD | 2. PRINTER, MONITOR, JOYSTICK |
| 3. SCANNER, MOUSE, KEYBOARD | 4. JOYSTICK, SCANNER, MONITOR |

17. What is the device which can be used to both input and output data

- | | | | |
|------------|---------------|-----------------|----------|
| 1. Speaker | 2. Microphone | 3. Touch screen | 4. Mouse |
|------------|---------------|-----------------|----------|

18. What is the incorrect answer regarding method of producing the processed information,

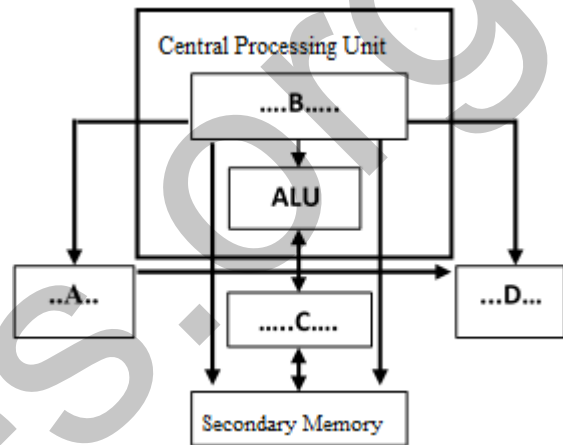
- 1. Sound,
- 2. Hard copy
- 3. Soft copy
- 4. Music

19. Select the **incorrect** statement:

- 1. ROM is a non volatile memory with less capacity.
- 2. Central Processing Unit is used to store data and information
- 3. Memory is categorized into different levels according to access speed and distance to micro processor
- 4. Cache memory is fastest, lesser in size and located close to micro processor'

20. ABCD of the diagram represent respectively,

- 1. Input, control Unit, Primary Memory, Output
- 2. Input, Output, control Unit, Primary Memory,
- 3. Input, , Primary Memory, Output, control Unit
- 4. Primary Memory, Input, control Unit, Output



21. Devices that belongs to Secondary Memory are

- 1. Hard Disk, CDRAM, ROM, RAM
- 2. RAM, ROM, Cache Memory, CD
- 3. Ram, Hard Disk, SD Card, Pen Drive
- 4. Bluray Disk, Hard Disk, DVD, Pen Drive

22 Speed of Central Processing Unit (clock speed) is measured by.

- 1) MB
- 2) GB
- 3) Kps
- 4) GHz

23. The Safest and easiest data traveler is

- 1 . CD
- (2). DVD
- (3. Pen drive
- 4). Hard Disk

24. Select incorrect statements regarding digital signals

- A. Digital signals represents by 0 and 1.
- B. Sea Waves are examples for digital signals
- C. When people talks digital signals are generated.

- 1. only A
- 2. A and B
- 3. B and C
- 4. A and C

25. Select the correct statement regarding classification computers on technology

- 1. Hybrid computers, Mini computers, Analog Computers
- 2. Hybrid computers, Digital computers, Analog Computers
- 3. Hybrid computers, Digital computers, Micro Computers
- 4. Super computers, Digital computers, Analog Computers