

බස්නාහිර පළාත් අධ්‍යාපන දෙපාර්තමේන්තුව
 மேல் மாகாணக் கல்வித் திணைக்களம்
 Department of Education - Western Province

වර්ෂ අවසාන ඇගයීම
 ஆண்டிறுதி மதிப்பீடு - 2016
 Year End Evaluation

ලේකුරු පහය
 Marking Scheme

ශ්‍රේණිය
 தரம்
 Grade } **11**

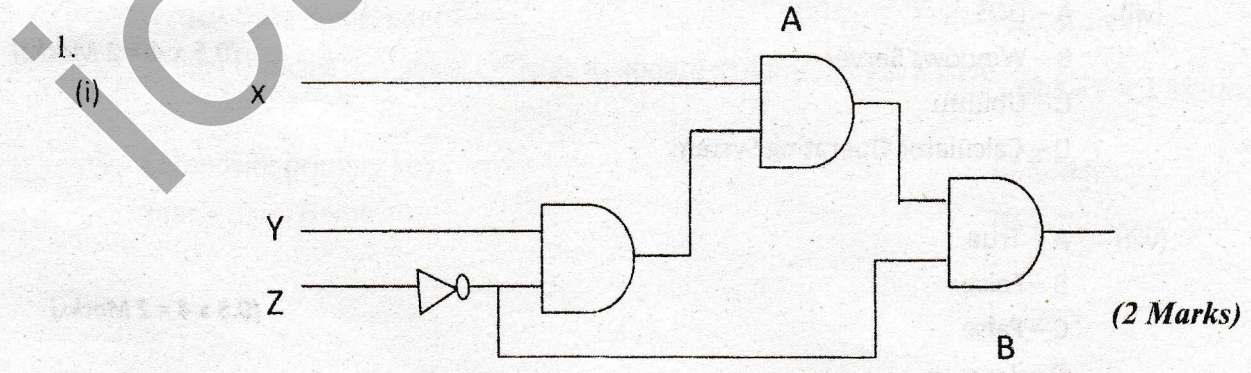
විෂයය
 பாடம்
 Subject } **Information and
 Communication Technology**

පහය
 வினாத்தாள் } **I, II**
 Paper

Paper I

1	3	11	2	21	2	31	3
2	3	12	3	22	2	32	4
3	4	13	2	23	1	33	4
4	1	14	4	24	4	34	1
5	2	15	4	25	3	35	1
6	3	16	1	26	3	36	3
7	1	17	3	27	3	37	4
8	2	18	2	28	1	38	3
9	3	19	4	29	4	39	3
10	4	20	3	30	2	40	2

Paper II



(ii)

(2 Marks)

A	B	(A + B)	(A . B)	(A+B) (A.B)
0	0	0	0	0
0	1	1	0	0
1	0	1	0	0
1	1	1	1	1

0.5 mark each
correct row

0.5

0.5

0.5

0.5

(iii) Input Device – Flat bed Scanner, Key board

(0.5 x 2 + 0.5 x 2 = 2 Marks)

Output Device – Multimedia Projector, Laser Printer

(no marks if correct answer is not given)

(iv)

- A. Half Duplex
- B. Simplex
- C. Full Duplex
- D. Half Duplex

(0.5 x 4 = 2 Marks)

(v)

දශමය	ද්විමය	අෂ්ටමය	හ්ඩ් දශමය
174	<u>10101110₂</u>	<u>256₈</u>	AE ₁₆
<u>157</u>	100111011 ₂	473 ₈	<u>9D₁₆</u>

(0.5 x 4 = 2 Marks)

(vi) $(A . B) + \bar{B}$

(2 Marks)

- (vii) A – DOS
- B – Windows Server
- C – Ubuntu
- D – Calculator Operating System

(0.5 x 4 = 2 Marks)

(viii) A – True

B – False

C – False

D – True

(0.5 x 4 = 2 Marks)

(ix)

1	R
2	P
3	S
4	Q

(0.5 x 4 = 2 Marks)

(X)

1	Var
2	Array
3	7
4	Integer

(0.5 x 4 = 2 Marks)

2.

- i. =\$B4-\$B4*\$B\$10 2 Marks
- ii. Click E4-----Click copy Icon-----select E5 to E6----- Click paste Icon 2 Marks
- iii. =SUM(E14:E16) 2 Marks
- iv. =MAX(E17:G17) 2 Marks
- v. Column chart or Bar chart 2 Marks

3.

(0.5 x 2 = 1 Marks)

- i. **Publisher Table - Pub_Id , Book Table - Book_Id**
- ii. **(a) Publisher Table , Book Table , Book_Publisher Table (1.5 x 3 = 3 1/2 Marks)**
(b) Book Table

B104	Lowen Thathubindak	Anuradha Ariyaratne	3500	Rs 230
------	--------------------	---------------------	------	--------

Publisher table

P005	Dayawansa Jayakodi	955-555-128-2
------	--------------------	---------------

Book_Publisher Table

P005	Dayawansa Jayakodi	955-555-128-2
------	--------------------	---------------

(1 x 3 = 3 Marks)

iii.

(a) Data Redundancy (0.5 Marks)

(b) Difficult to search, difficult to update(any correct answer) (0.5 x 2 = 1 Marks)

iv. Composite primary key , (0.5 Marks)

Year + Book Name (0.5 marks)

4.

i. physical Security

Uninterrupted Power Supply – UPS
Hardware firewalls
Locked doors
CCTV
Surge protector

(2 Marks)

Logical Security

Passwords
Hardware firewalls
Backups

(0.5 x 2 = 1 Marks)

ii.

Citing - mention the rightful owner and his information.

Quoting - the use of inverted commas (“...”) to identify a selected or borrowed section.

Referencing - the listing of resources from which the information was collected. This is usually done at the end of an essay or article.

iii.

(a) Electronic products have become non working after reaching the end of their useful life are known as e waste. (1 Mark)

(b) Mercury, Arsenic, Barium, Beryllium, Cadmium, Chromium, Dioxins (2 Mark)

(c) Reduce usage - Reduce unnecessary purchase by maintaining the existing electronic devices

Reuse - Sell or donate old but working electronic devices without discarding

Recycle - Directing irreparable devices to an institute which recycle them (1 Mark)

iv.

(a) Digital Bridge - Digital bridge is forming connections among people avoiding the digital divide. (1 Mark)

(b)

- Increase the Digital Literacy among citizens
- Supply of computers or Organizing the purchase of computers at easy concessionary rates
- Equal opportunities to dispel other financial difficulties
- Participation of intermediaries such as people's associations and both public and private sector sponsorship and assistance to make digital bridge success.
- Establishing of ICT infrastructure for rural areas.
- Make facilities to increase English knowledge among people.

(2 Marks)

5.

i. Steps in SDLC

½ mark for each

(3 Marks)

ii. State the function of prototyping in the first phase that used to gather user requirement.
Prototyping

A model or a prototype of the proposed system to be implemented is developed and demonstrated to the staff and the users for feedback and comments such as display of screen shots, records, samples etc.

(1 Marks)

iii.

දිය ඇලි:-	පුනර්කරණ වෘද්ධි
A,C,G	B,D,E,F

½ mark for each

(4 Marks)

iv.

Developing systems to suit new user requirements

Issues that surfaced with the use of the system which were not identified during system development.

Adopting new, technology into the new system to improve efficiency

(2 Marks)

6.

(a)

1. Dynamic
2. Open source
3. www.nic.lk
4. Static

(4 Marks)

(b)

- 1 - h1 align="center"
- 2 - br
- 3 - hr color
- 4 - center
- 5 - p align="justify"
- 6 - ul type="circle"
- 7 - ul
- 8 - th colspan="2"
- 9 - a href
- 10 - u

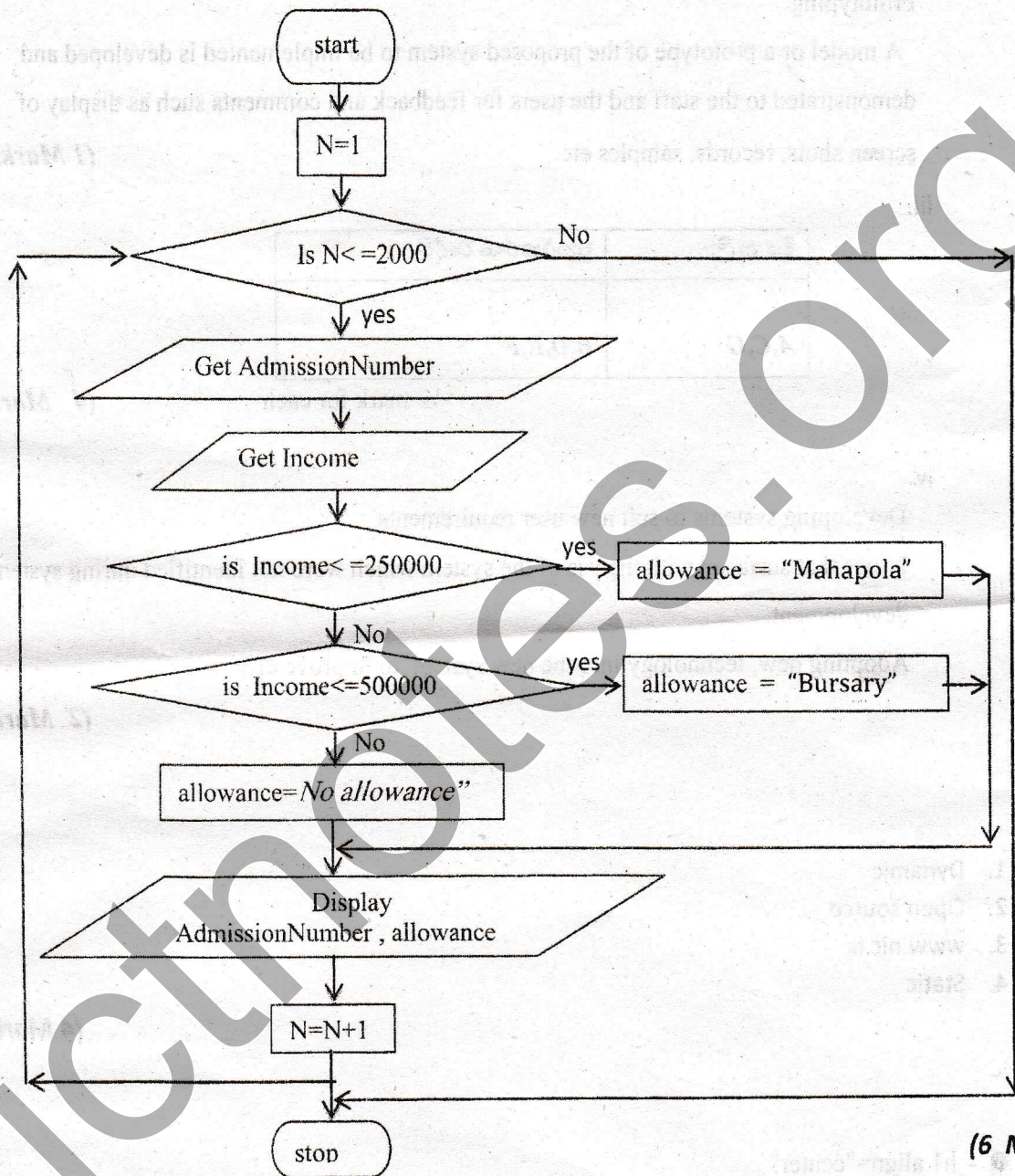
(5Mmarks)

(c) File -----save as -----save type -----select encoding type as Unicode-----save

(1Marks)

7.

1(a)



(6 Marks)

(b)

```
program printNumbers;
  var x:integer ;
begin
  for x := 10 downto 1 do
    writeln(x);
    readln();
  end.
```

- ① integer
- ② for
- ③ downto
- ④ writeln

(4 Marks)